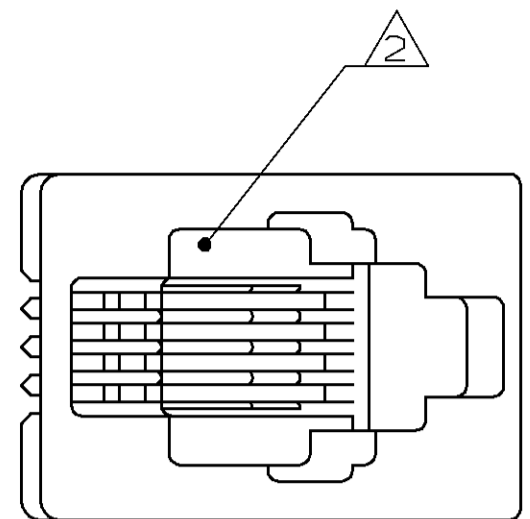
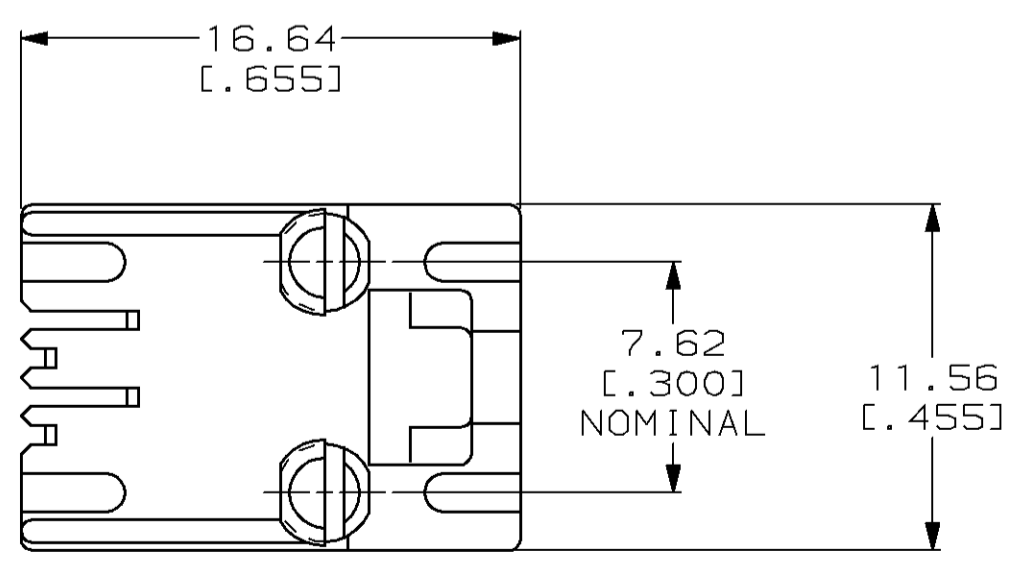
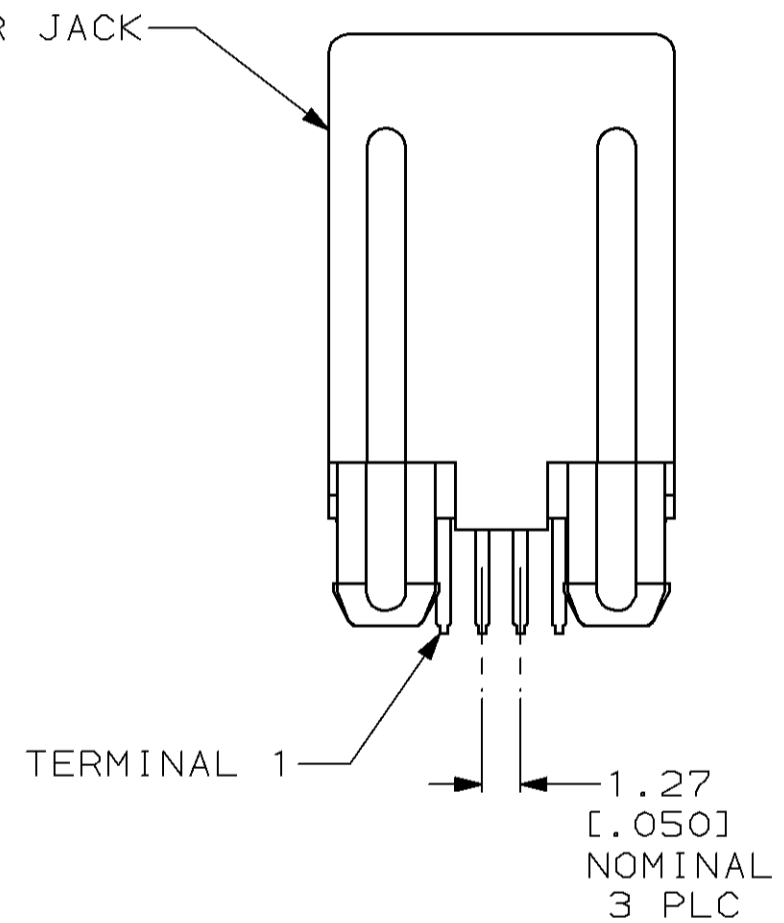
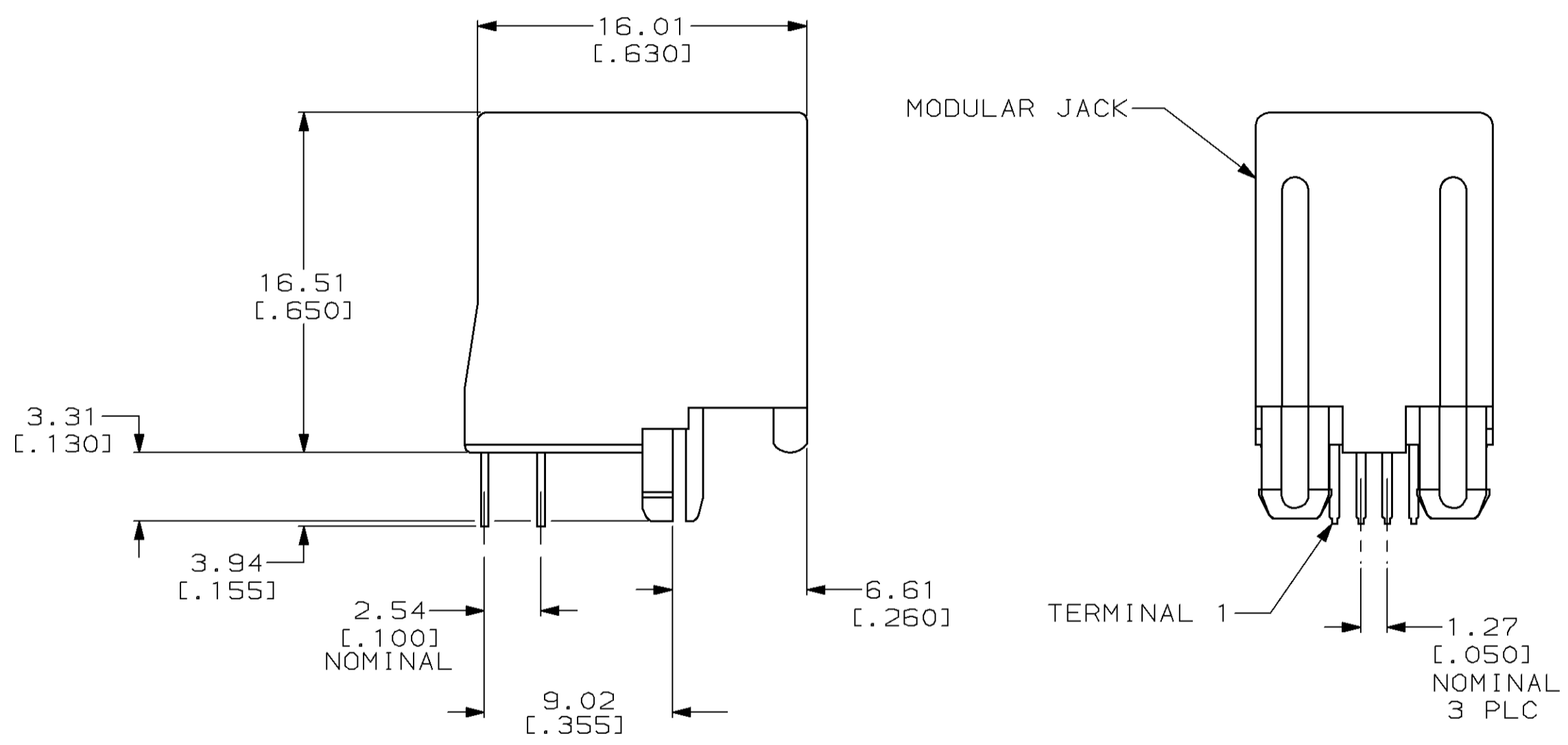


LOC	DIST	P	F	ZONE	LTR	DESCRIPTION	DATE	APPD
AA	22				B	OBSOLETE: -2; EC 0502-0852-97	22MAY98	DLD CMB



- ① MATERIAL: HOUSING - PBT POLYESTER BLACK. TERMINAL - PHOS-BRONZ PLATED WITH 1.27μm [.000050] THICK HARD GOLD IN LOCALIZED GOLD PLATE AREA AND 2.03μm [.000080] THICK TIN-LEAD IN SOLDER AREA OVER 1.27μm [.000050] THICK NICKEL UNDERPLATE.
- ② CAVITY CONFORMS TO FCC RULES AND REGULATIONS PART 68 AND REA BULLETIN 345-.81 PE-76 SPECIFICATION FOR MODULAR TELEPHONE HARDWARE.
- ③ DIMENSIONS ARE MAXIMUM UNLESS OTHERWISE SPECIFIED.
- ④ BULK PACKAGED IN A TRAY.



THIS DRAWING IS A CONTROLLED DOCUMENT FOR AMP INCORPORATED. IT IS SUBJECT TO CHANGE AND THE CONTROLLING ENGINEERING ORGANIZATION SHOULD BE CONTACTED FOR THE LATEST REVISION.

DO NOT SCALE PRINT. UNLESS SPECIFIED DIMENSIONS IN mm [INCHES] TOLERANCES ON:		DR 9-12-94 B. SIMPSON		AMP Incorporated Harrisburg, PA 17105-3608	
2 PLC DEC ±		CHK 9-16-94 C. WHITT			
3 PLC DEC ±		APPD 9-23-94 J. TONEY		NAME MODULAR JACK ASSEMBLY, TOP ENTRY, 4 POSITION, WITHOUT PANEL STOPS	
ANGLES ±		APPD 9-23-94 H. MCGRATH		SIZE	
MATERIAL		PRODUCT SPEC 108-1163		CAGE CODE 00779	
FINISH		APPLICATION SPEC 114-2048		DRAWING NO G=558872	
		WEIGHT -		SCALE 4:1	
				SHEET 1 OF 1	